

XME2024



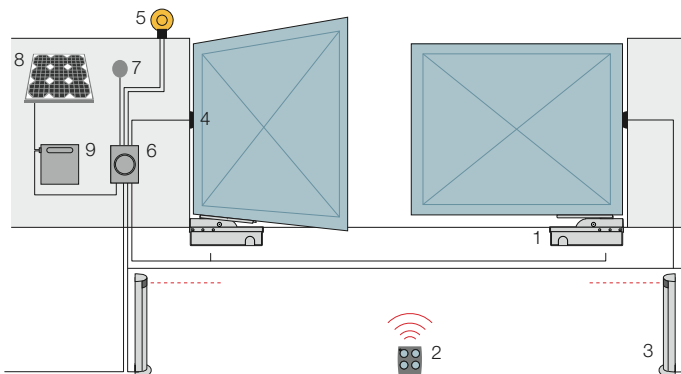
The kit contains:

XME2024 2 gear motors. **XMBOX** 2 foundation boxes. **ON2** 1 transmitter 433.92 MHz, 2 channels. **MC424** 1 control unit with OXI plug-in receiver. **MOF** 1 pair of photocells for outdoor installation. **MOSE** 1 key selector switch for outdoor installation. **ML24T** 1 flashing light with integrated aerial. **TS** 1 signboard.

Technical specifications

Code	XME2024
Electrical data	
Power supply (Vdc)	24
Absorption (A)	5
Power (W)	120
Built-in capacitor (µF)	-
Performance data	
Speed (Rpm)	1.25
Torque (Nm)	250
Work cycle (cycles/hour)	60
Dimensional and general data	
Protection level (IP)	67
Working temp. (°C Min/Max)	-20° ÷ +50°
Dimensions (mm)	230x206x88 h
Weight (kg)	15

Installation diagram



1. X-Metro 2. Transmitter 3. Photocells mounted on posts 4. Photocells 5. Flashing light 6. Control unit 7. Digital or key switches 8. SYP* solar panel 9. PSY24* battery box.
*Optional connection to Solemyo system.

For swing gates with leaves up to 2.3 m, underground installation, ultra compact.
New irreversible electromechanical 24 Vdc gear motor.

Compatible for operation with Solemyo system.

Tough and discreet: compact foundation box with a height of only 81 mm. Steel with cathaphoresis paint finish guarantees optimal resistance to corrosion, and thickness of 2.5 mm guarantees strength. All this in a protrusion of just 52 mm from the ground.

Practical and quick installation thanks to the exit lever on the gear motor attached directly on the leaf.

Mechanical limit switches adjustable on opening and closing.

Standard opening up to 180° with no accessory.

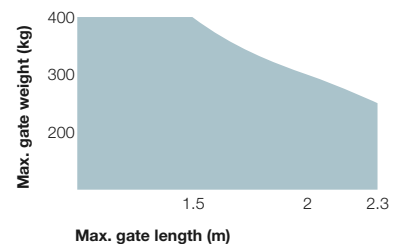
Reliable and sturdy: the gear motor, in IP67 pressure die cast aluminium, suspended inside the housing to enable drainage of any deposits, ensures optimal water resistance.

Practical release from inside and outside, acting directly on the gear motor, easy to operate by means of the special key.

New Moonclever control unit MC424:

- easy programming by pressing a single button;
- clutch with anti-crush safety feature;
- automatic memorization of limit switches on opening and closing with self-learning function;
- programming of pause time;
- pedestrian pass door;
- deceleration on opening and closing;
- obstacle detection;
- provision for connection of latest generation resistive sensitive edges;
- continues to work even during power failures using optional (PS124) batteries that fit inside the control unit.

Utilisation limits



The shape, the height of the gate and the weather conditions can considerably reduce the values shown in the graph to the side.