

# Run 1800/2500

For sliding gates weighing up to 1800 kg (RUN1800)  
and up to 2500 kg (RUN2500)

## Suitable to operate in extreme conditions, in systems for intensive use.

Ventilated motor with inductive limit switch (RUN1800P/RUN2500P) or electromechanical limit switch (RUN1800/RUN2500/RUN2500I).

**Easy to install:** the BlueBUS system enables connections by means of just two wires between the control unit and up to 15 control safety and signalling devices.

**Safe:** the acceleration settings (at the start of the manoeuvre) and the deceleration settings (at the end of the manoeuvre) are precise and reliable.

**Advanced temperature sensor:** Run is able to manage force, adapting it to the different climatic and environmental conditions, while adapting the thermal cut-out protection and intensity of self-ventilation, depending on the temperature reading.

**Master/slave selection:** for automatic synchronisation even of 2 motors, allowing automation of sliding gates with two opposing leaves.

**Practical and functional:** the control unit (and inverter on version RUN2500I), housed inside Run, can be simply connected by means of the practical connector guide.

**Silent:** gear motor on bearings.

### RUN2500I version with built-in inverter

**Perfect movement:** the inverter enables the power supply and drive of the 3-phase motor with single-phase current at 230 Vac, acting on the frequency to adjust speed of the automation from a minimum of 8.2 m/min to maximum 15.4 m/min. In the automation deceleration phase, the inverter, which dialogues with the control unit, increases the torque, thus improving performance and reducing the risk of the automation blocking on impact with obstacles.

Nice **BiDirectional products** indicate the status of the automations and confirm correct reception of the command.

Discover the complete range of BiDirectional products on page 176.

**Yubii** is the new Nice ecosystem that connects all the automations in the home.

Discover all the benefits of the Yubii system on page 168.



## COMMON ACCESSORIES



### CORE

Nice Wi-Fi-Radio Gateway.

Pc./Pack 1



### IT4WIFI

Smart Wi-fi interface to manage gates and garage doors by smart-phone.

Pc./Pack 1



### RUA1

Spare control unit for RUN1800/1800P and RUN2500/2500P.

Pc./Pack 1



### RUA2

Spare control unit, for RUN2500I.

Pc./Pack 1



### RUA3

Spare inverter for RUN2500I.

Pc./Pack 1



### ROA7

M4 rack, zinc coated, 22x22x1000 mm.

Pc./Pack 10



### ROA8

M4 rack, 30x8x1000 mm, zinc coated with spacers and screws.

Pc./Pack 10



### ROA81

M6 rack, 30x30x1000 mm, zinc coated, to be coupled with RUA12.

Pc./Pack 10



### RUA12

12-teeth pinion, module 6, to be coupled with rack ROA81. The Run automation is supplied with a module 4 pinion to be used with the standard racks ROA7 and ROA8.

Pc./Pack 1



### TS

Signboard.

Pc./Pack 1

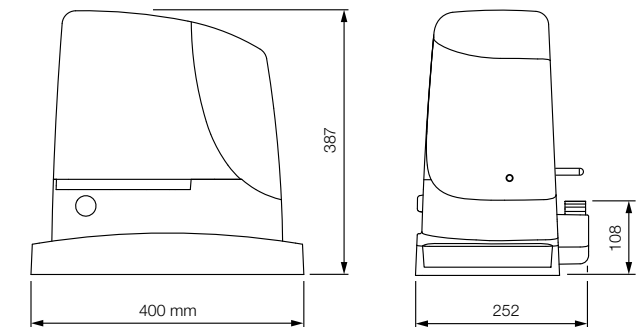
## TECHNICAL SPECIFICATIONS

Code	Description	Pack/Pallet
<b>RUN1800</b>	Irreversible, 230 Vac, with built-in control unit, with electromechanical limit switch, for sliding gates weighing up to 1800 kg	12
<b>RUN1800P</b>	Irreversible, 230 Vac, with built-in control unit, with inductive limit switch, for sliding gates weighing up to 1800 kg	12
<b>RUN2500</b>	Irreversible, 230 Vac, with built-in control unit, with electromechanical limit switch, for sliding gates weighing up to 2500 kg	12
<b>RUN2500P</b>	Irreversible, 230 Vac, with built-in control unit, with inductive limit switch, for sliding gates weighing up to 2500 kg	12
<b>RUN2500I</b>	Irreversible, 230 Vac, with built-in control unit and inverter, with electromechanical limit switches, for sliding gates weighing up to 2500 kg	12

Code	RUN1800/1800P	RUN2500/2500P	RUN2500I
<b>ELECTRICAL DATA</b>			
Power supply (Vac/Hz)	230/50*		230/50-60
Absorption (A)	3	3,8	3,7
Power (W)	700	870	650
<b>PERFORMANCE DATA</b>			
Speed (m/s)	0,17		0,26
Force (N)	1110	1390	1660
Work cycle (cycles/hour)	42		56
<b>DIMENSIONAL AND GENERAL DATA</b>			
Protection level (IP)	44		
Working temp. (°C Min/Max)	-20 ÷ +50		
Dimensions (mm)	400x255x390 h		
Weight (kg)	24,5		25

\* 60 Hz version available on request.

## DIMENSIONS



## COMPATIBILITY TABLE WITH CONTROL SYSTEMS AND ACCESSORIES

Code	receiver				transmitter						photocells						flashing light							
	Built-in*	OXIBD	OXILR	ERA INTI	ERA ONE	ERA ONE BD	ERA ONE LR	ERA FLOR	NICEWAY	EPS	EPMI	EPL	EPSB	EPWB	EPLB	EPNOW	EPNOR	F210	FT210	F210B	FT210B	ELAC	ELDC	WLT
<b>RUN1800/1800P</b>	•	•	•	•	•	•	•	•	•				•	•	•	•					•	•	•	•
<b>RUN2500/2500P</b>	•	•	•	•	•	•	•	•	•				•	•	•	•					•	•	•	•
<b>RUN2500I</b>	•	•	•	•	•	•	•	•	•				•	•	•	•					•	•	•	•

\* Radio receiver incompatible with Opera system

For swing gates

For sliding gates

Barrier gate operator systems

For garage and industrial doors

Control systems and accessories

Compatibility table and alphabetical index