



The **Nice**  
**Tom**

Industrial motors  
for the automation  
of sectional doors  
and roller shutters

**Nice**

Home Automation

# Index

3|5 **Introduction**  
The company, the benefits, the range

6 **Even more safety**  
Standard installations

7 Selection guide

## **For industrial sectional doors**

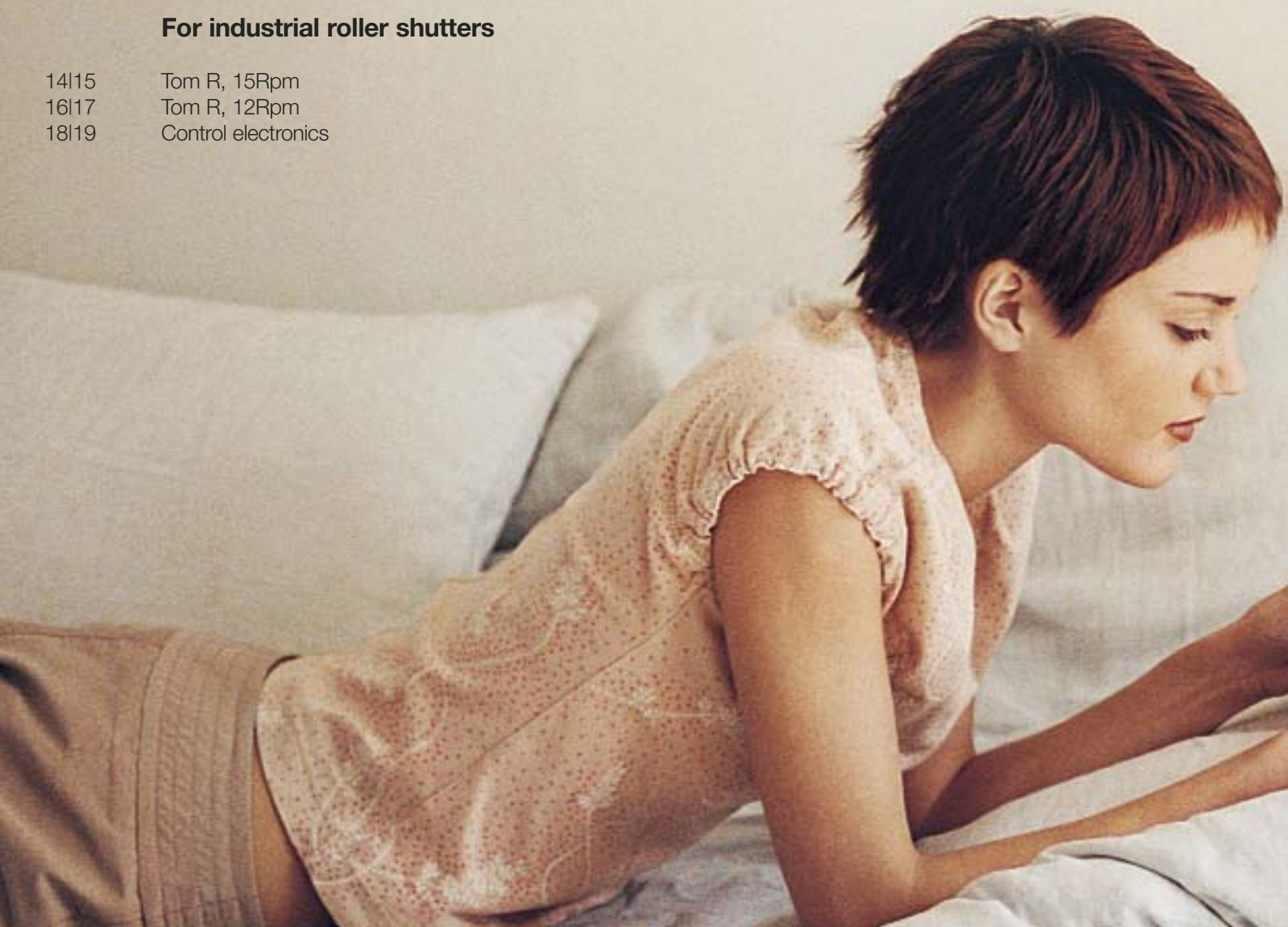
8|11 Tom S  
10|11 Control electronics

## **Openkit for sectional doors**

12|13 Tom S Kit

## **For industrial roller shutters**

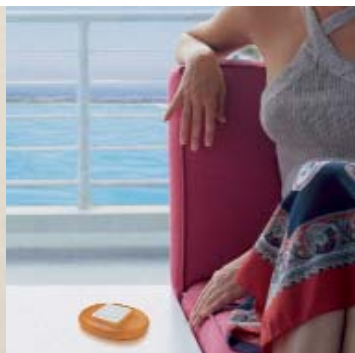
14|15 Tom R, 15Rpm  
16|17 Tom R, 12Rpm  
18|19 Control electronics





# Excellent reasons to choose Nice

Nice



## Innovations

Nice is the simplest system to create **a coordinated automation system** in any type of residential or industrial building. Choosing Nice means guaranteeing the utmost performance, the latest and most advanced technology, the most practical and innovative design.

## Safety

The integrated safety systems prevent accidents connected with movement that are typical of non-automated systems: the sophisticated Nice technology adds new and exclusive safety functions.

## Service

Dealers who offer Nice products to their customers believe in the value of quality; providing service that satisfies all the needs and wishes of customers, before and after sales, is a duty. Contact a Nice specialist with complete trust!

## Design

Nice makes refined products, to use intuitively, appreciated by customers and imitated by the competition. Today, Nice products are exhibited in design and applied art museums, and were presented with an awards at the XIX Compasso d'Oro, the most important international event in the design field.



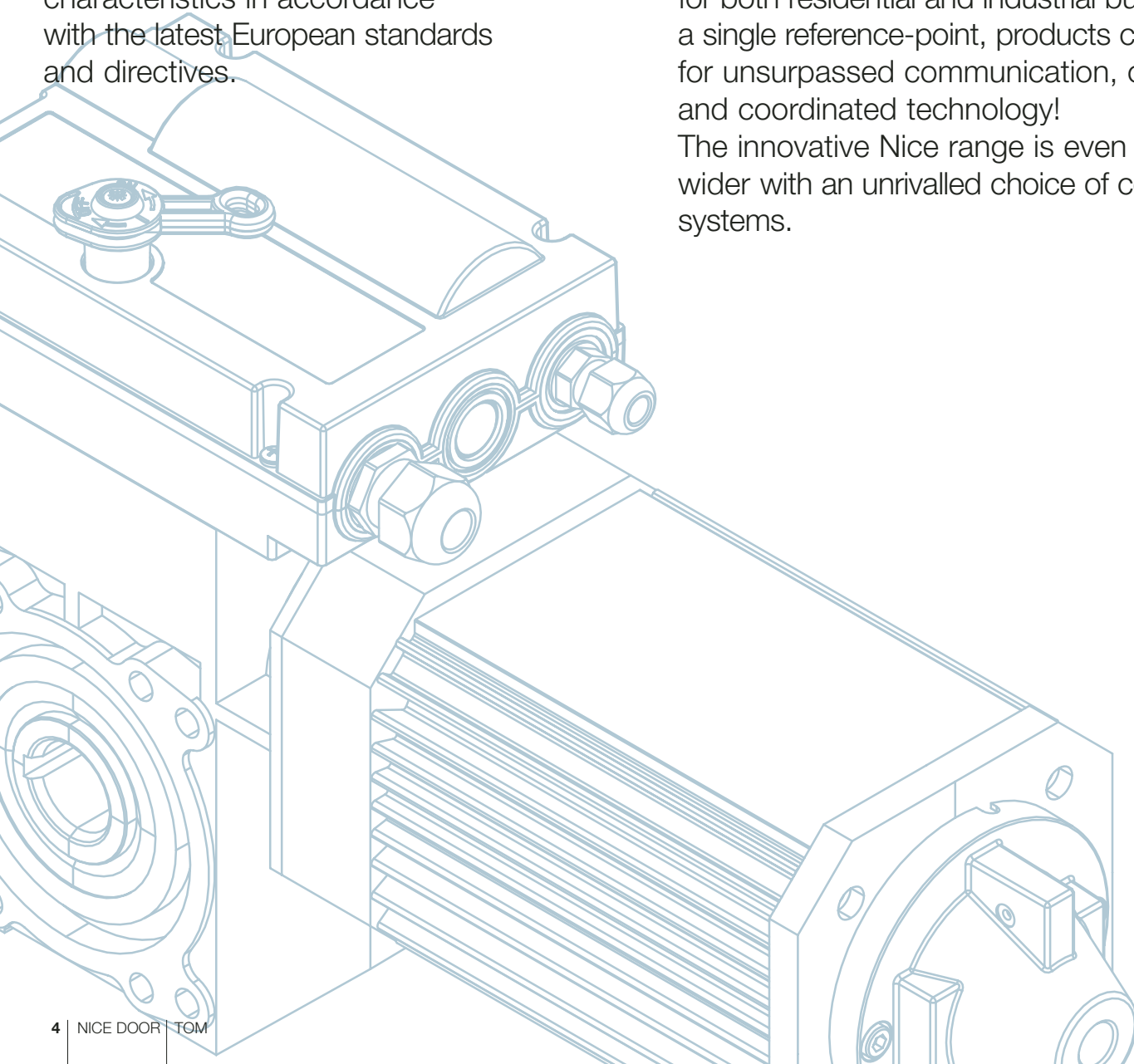
# Tom: the latest Nice line of industrial door motors.

## Nice, flexible technology

With Tom, Nice present a full range of motors for **industrial sectional doors and roller shutters**: the advanced technology, the quality of the detail and the lasting and reliable running guarantee automation systems with safety requirements and performance characteristics in accordance with the latest European standards and directives.

Easily installed and programmed motors that are extremely flexible thanks to continual implementation opportunity for made to measure solutions.

Nice is the only make that allows you to offer integrated control systems for both residential and industrial buildings: a single reference-point, products created for unsurpassed communication, original and coordinated technology! The innovative Nice range is even wider with an unrivalled choice of control systems.



# Nice: the right answer to any automation need!

Nice



## **Tom S, for industrial sectional doors**

Eleven different motor versions offering the finest solutions for every type of industrial automation system.

The Tom S series motors, for sectional doors weighing up to 600kg, are powerful (up to 140Nm) and fast (up to 24Rpm), managed by an external control unit with modular expansion cards for fully-developed and personalised operations.

Practical and economical, TomKit is the kit that has everything you need for the complete automation of a sectional door weighing up to 300kg.



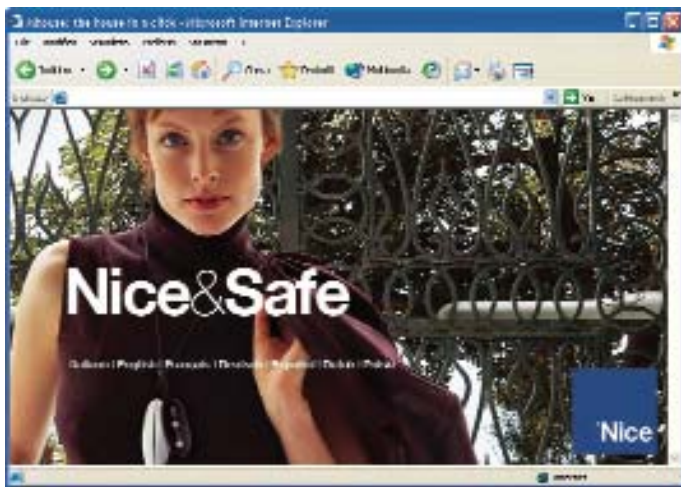
## **Tom R, for industrial roller shutters**

Ten different gearmotor versions for high speed roller shutters, available with various manual emergency override mechanisms thereby offering the finest solutions for every type of automation system.

The Tom R series motors are ideal for all roller shutters with shafts up to 40mm in diameter; the anti-fall safety device integrated in all motor models guarantees the maximum safety during installation as well as use. Powerful (up to 550Nm) and fast (up to 15Rpm) for roller shutters weighing up to 750kg.



# Installation according to EN12453 Standards



## Great care of people safety and product quality

Often even the most expert installers have trouble finding their way through the new provisions of the Machinery Directive and European regulations on safe use of automatic gates. For every system created, installers are now required to carry out various checks and tests, to assure compliance with regulations, and to produce a full set of relevant documents.

### **Nice does the work for you!**

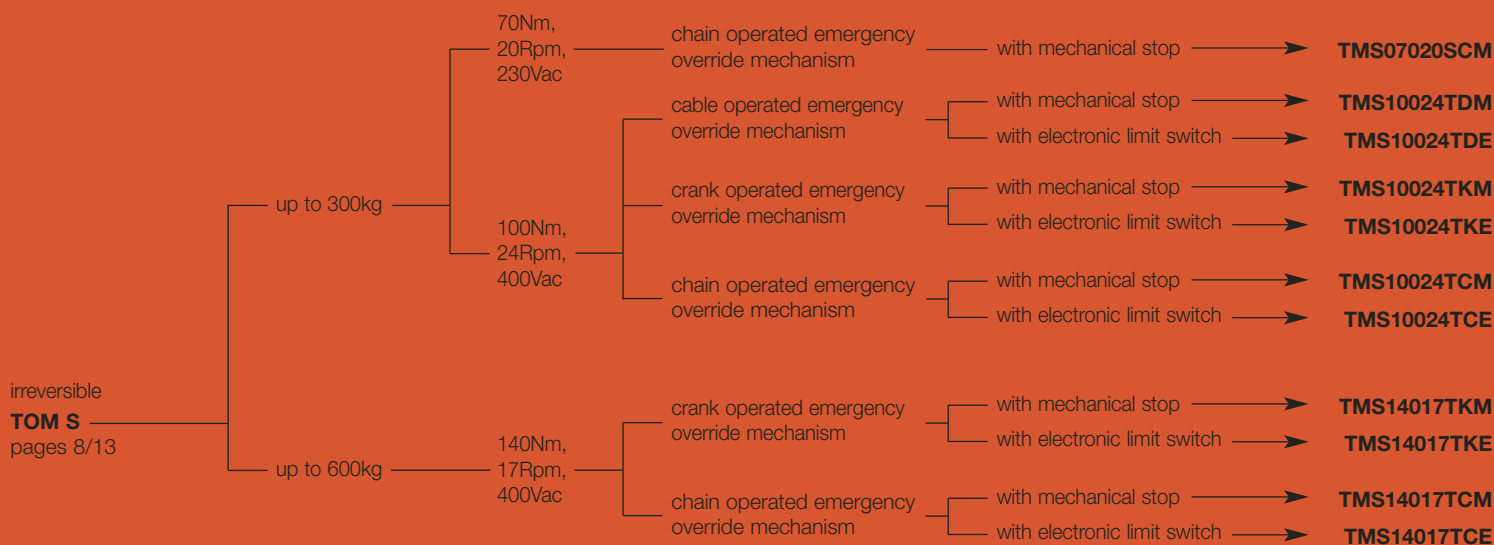
To help save you time and worry, Nice does the necessary paperwork for you: all you have to do is follow the instructions given, filling in just the parts relating to the specific installation.



# Selection guide

Follow the arrow and choose the right product

## For sectional doors



## For rolling shutters



## Motor selection table based on the awning's weight/shaft

Torque	140Nm	200Nm	290Nm	450Nm	550Nm
Code	TMR14015TKM TMR14015TCM	TMR20015TKM TMR20015TCM	TMR29012TKM TMR29012TCM	TMR45012TKM TMR45012TCM	TMR55012TKM TMR55012TCM
Shaft DIN 2448 (mm)					
101.6 x 3.6	188	268	389	604	738
108 x 3.6	178	255	370	573	701
133 x 4	149	213	309	480	586
159 x 4.5	128	182	264	410	501
177.8 x 5	115	165	239	371	454
193.7 x 5.4	107	153	221	343	420
219.1 x 5.9	95	136	198	307	375
244.5 x 6.3	86	123	179	277	339
273 x 6.3	78	111	161	250	306
298.5 x 7.1	72	102	149	230	282
323.9 x 7.1	66	95	138	213	261

The values indicated in the table foresee a tolerance of 20% to account for normal friction and are calculated for roller shutters with 20mm sections.

# Tom S

## For industrial sectional doors weighing up to 600kg.

Irreversible electromechanical gearmotor available with electronic limit switch and absolute encoder movement control. Eleven versions.

### Flexible technology

Available with three different emergency override mechanisms: cable, crank or chain thereby offering the best possible solution for every type of automation system.

### Compact and powerful

Torque up to 140Nm; speed up to 24Rpm.

### Safety

Automation systems in accordance with the latest European technology and safety directives and standards.

### Quick installation in every location

Tom can be directly fitted to the shaft of the sectional door (for Ø 25.4mm shafts). The simple connectors ease connections; installation and starting are particularly easy.

### Sturdy

Oil bath reduction gear and entirely bronze gears.

### Simple, complete and reliable

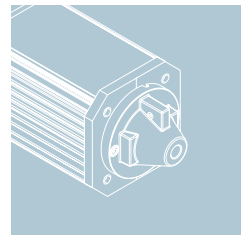
separate **Mindy TM** control unit with:

- mechanical stop and electronic limit switch management;
- possibility of connecting 8.2kohm resistive and optical photocells and sensitive edges;
- hold-to-run and automatic radio or cable controls;
- possibility of expansion with additional cards.

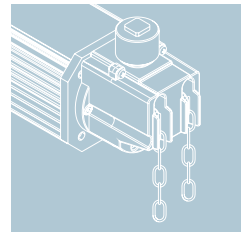
Also available with incorporated push-button panel.



Crank and cable emergency override mechanism



Chain emergency override mechanism



## TMS07020 230V, 70Nm, 20Rpm irreversible single-phase motor for sectional doors weighing up to 300kg

Code	Description
TMS07020SCM	with 6 adjustable mechanical stops and chain operated emergency override mechanism, fixing plate included

## TMS10024 400V, 100Nm, 24Rpm irreversible three-phase motor for sectional doors weighing up to 300kg

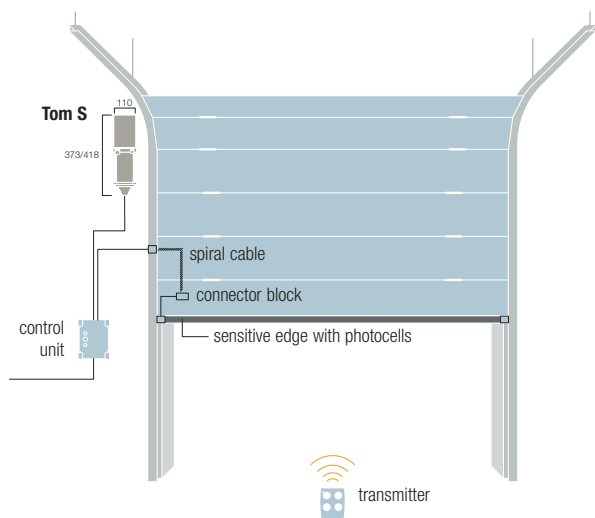
Code	Description
TMS10024TKM	with 6 adjustable mechanical stops and crank operated emergency override mechanism, fixing plate included
TMS10024TKE	with electronic limit switch and crank operated emergency override mechanism, fixing plate included
TMS10024TCM	with 6 adjustable mechanical stops and chain operated emergency override mechanism, fixing plate included
TMS10024TCE	with electronic limit switch and chain operated emergency override mechanism, fixing plate included
TMS10024TDM	with 6 adjustable mechanical stops and cable operated emergency override mechanism, fixing plate included
TMS10024TDE	with electronic limit switch and cable operated emergency override mechanism, fixing plate included

## TMS14017 400V, 140Nm, 17Rpm irreversible three-phase motor for sectional doors weighing up to 600kg

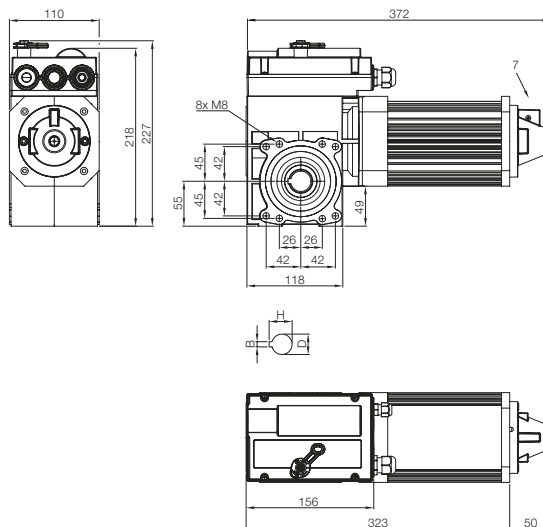
Code	Description
TMS14017TKM	with 6 adjustable mechanical stops and crank operated emergency override mechanism, fixing plate included
TMS14017TKE	with electronic limit switch and crank operated emergency override mechanism, fixing plate included
TMS14017TCM	with 6 adjustable mechanical stops and chain operated emergency override mechanism, fixing plate included
TMS14017TCE	with electronic limit switch and chain operated emergency override mechanism, fixing plate included



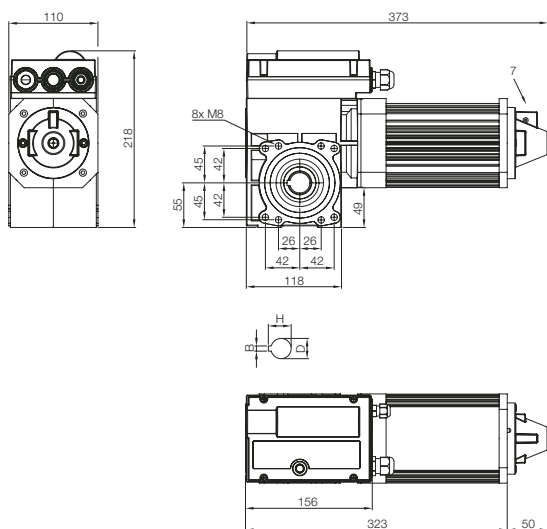
### Installation layout



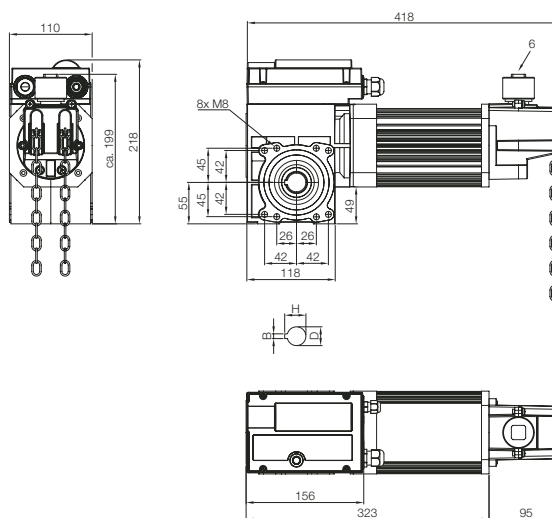
### TMS10024 technical drawing; cable operated emergency override mechanism



### TMS10024 / TMS14017 technical drawing; crank operated emergency override mechanism



### TMS07020 / TMS10024 / TMS14017 technical drawing; chain operated emergency override mechanism



#### Technical specifications

		TMS07020	TMS10024	TMS14017
Hole	(mm)		25.4	31.75
Torque	(Nm)	70	100	140
Static torque	(Nm)		230	440
Lifted weight*	(kg)		300	600
Speed	(Rpm)	20	24	17
Power absorbed	(KW)		0.37	0.55
Power	(V/Hz)	1x230V 50Hz	3x230V/3x400V 50Hz	3x230V/3x400V 50Hz
Work cycle	(ED)	S3-20%	S3-40%	S3-40%
Power supply cable	(n° x mm²)	3 x 1.5	5 x 1.5	5 x 1.5
Mains fuses	(A)		10 (delayed)	
Shaft revolutions on each revolution of the stop			15	
Operating temperature	(°C)		-5 ÷ +40	
Noisiness	dB(A)		<70	
Protection level	(IP)		IP54	

\*Value calculated with 160mm diameter roller

## Control unit



Code	Description
<b>TM1S</b>	standard control unit for opening and hold-to-run closure, expandable with additional cards. For 230V single-phase motors
<b>TM1T</b>	standard control unit for opening and hold-to-run closure, expandable with additional cards. For 400V three-phase motors
<b>TM2S</b>	standard control unit for semi-automatic opening and hold-to-run closure. For 230V single-phase motors
<b>TM2T</b>	standard control unit for semi-automatic opening and hold-to-run closure. For 400V three-phase motors
<b>TM2TPUL</b>	standard control unit for semi-automatic opening and hold-to-run closure. For 400V three-phase motors. With integrated control buttons

## Electronic accessories



Code	Description
<b>TM1C1</b>	additional card for TM1 series control units for semi-automatic opening and hold-to-run closure. For motors with mechanical stop
<b>TM1C1E</b>	additional card for TM1 series control units for semi-automatic opening and hold-to-run closure. For motors with electronic limit switch
<b>TM1C2</b>	additional card for TM1 series control units for automatic closure with programmable time and the possibility of connecting resistive or optical sensitive edges
<b>TM1C3</b>	additional card for TM1 series control units to manage the semaphoric signals in both directions, the photocell pair installed on grilled roller shutters close to the winding shaft and contact for the opening and closing position
<b>TM1C3A</b>	additional card for TM1 series control units to manage the semaphoric signals in both directions, emergency stop light signal with short opening and intermediate opening movement for electronic limit switches
<b>TM1C4</b>	additional card for TM1 series control units to manage the electronic limit switch with automatic correction of the cord tension, emergency stop signal with short opening movement and contact for the opening and closing position
<b>TM1C5</b>	additional card for TM1 series control units services signalling function
<b>TM PUL</b>	additional control buttons for TM1 series control units
<b>TMCEE</b>	CEE connector with 1m of cable
<b>TM1KCE</b>	automatic closure kit including: additional TM1C2 card, TMSC16 spiral cable, TMF photocell and connector block

## Motor/control unit connection cables with connectors for instant use

### For motors with mechanical stop

Code	Description
<b>TM1CM5</b>	for TM1 series control units. Length 5m
<b>TM1CM7</b>	for TM1 series control units. Length 7m
<b>TM1CM11</b>	for TM1 series control units. Length 11m
<b>TM2CM5</b>	for TM2 series control units. Length 5m
<b>TM2CM7</b>	for TM2 series control units. Length 7m
<b>TM2CM11</b>	for TM2 series control units. Length 11m



### For motors with electronic limit switch

Code	Description
<b>TM1CE5</b>	for TM1 series control units. Length 5m
<b>TM1CE7</b>	for TM1 series control units. Length 7m
<b>TM1CE11</b>	for TM1 series control units. Length 11m



## Universal accessories

Code	Description
<b>TMSC16</b>	5 core spiral cable with connector and extension from 0.8 to 1.6m, supplied with cable clip and support. Necessary for the connection of the optical or resistive sensitive edge
<b>TMBOX1</b>	door fixed connection block to connect the sensitive edge and spiral cable. With hole for cable clip
<b>TMBOX2</b>	door fixed connection block to connect the sensitive edge and spiral cable. Without hole for cable clip
<b>TMC45</b>	cable with connector for TMBOX1/TMBOX2 connector blocks. 4.5m long for TMBOX1 and advisable for TMBOX2
<b>TMC65</b>	cable with connector for TMBOX1/TMBOX2 connector blocks. 6.5m long for TMBOX1 and advisable for TMBOX2
<b>TMC85</b>	cable with connector for TMBOX1/TMBOX2 connector blocks. 8.5m long for TMBOX1 and advisable for TMBOX2
<b>TMF</b>	11.5mm Ø photocell pair for optical sensitive edges, including adaptors from 11.5 to 22mm and 7m of cable. For distances up to 7m (10.5mm with 1m of cable)
<b>TMP1</b>	cylinder safety device against the breakage of the sectional door cord
<b>TMP2</b>	safety device against the breakage of the sectional door cord





# Tom S Kit

## For industrial sectional doors weighing up to 300kg.

400V irreversible electromechanical three-phase gearmotor with 6 adjustable mechanical stops and chain operated emergency override mechanism. Fixing plate and power supply socket included.

## Gearmotor characteristics: Flexible technology

Available with chain operated emergency override mechanism.

## Compact and powerful

Torque up to 100Nm; speed up to 24Rpm.

## Quick installation in every location

Tom can be connected directly to the shaft of the sectional door (for shafts from Ø 25.4mm). The simple connectors ease connections; installation and starting are particularly easy.

## Sturdy

Oil bath reduction gear and entirely bronze gears.

## Simple, complete and reliable separate Mindy TM1C1 control unit with:

- mechanical stop management;
- possibility of connecting 8.2kohm resistive and optical photocells and sensitive edges;
- hold-to-run and automatic radio or cable controls;

Additional expansion cards.

Also available with incorporated push-button panel.

## The kit includes:

### TMS10024TCM

400V, 100Nm, 24Rpm irreversible three-phase motor for sectional doors weighing up to 300kg



### TM1CM7

connection cable between the motor with mechanical stop and the TM1 series control unit, with simple connectors. Length 7m



### TM1T

standard control unit with additional expansion card. For 400V three-phase motors

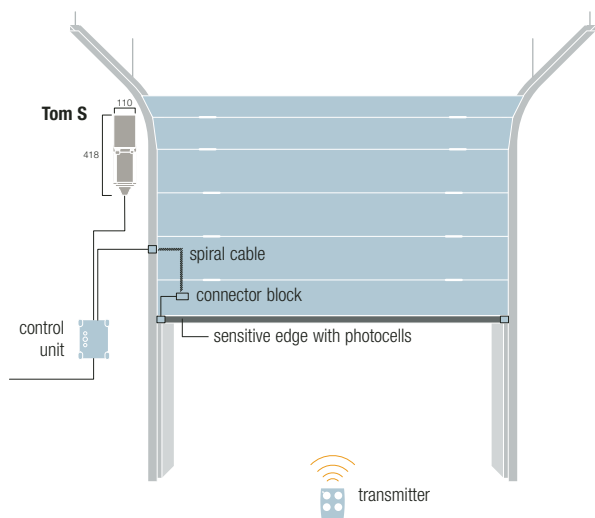


### TM1C1

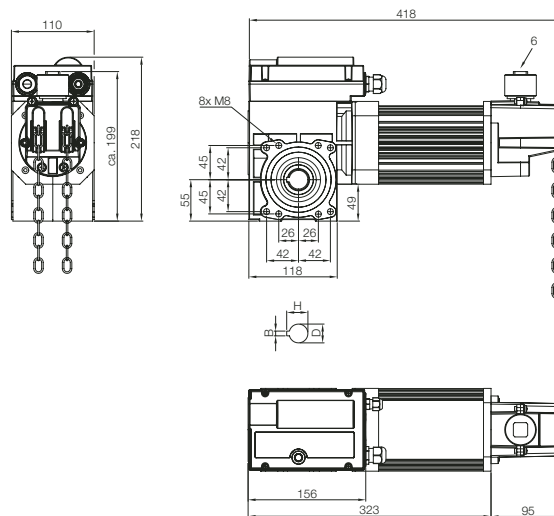
additional card for TM1 series control units for semi-automatic opening and hold-to-run closing. For motors with mechanical stop

Code	Description
<b>TMS10024TCMK</b>	with 6 adjustable mechanical stops and chain operated emergency override mechanism. Including fixing plate and power supply socket.

## Installation layout



## Technical drawing Chain operated emergency override mechanism



### Technical specifications

#### TMS10024TCM

Hole	(mm)	25.4
Torque	(Nm)	100
Static torque	(Nm)	230
Lifted weight*	(kg)	300
Speed	(Rpm)	24
Power absorbed	(KW)	0.37
Power	(V/Hz)	3x230V/3x400V 50Hz
Work cycle	(ED)	S3-40%
Power supply cable	(n° x mm <sup>2</sup> )	5 x 1.5
Mains fuses	(A)	10 (delayed)
Shaft revolutions on each revolution of the stop		15
Operating temperature	(°C)	-5 ÷ +40
Noisiness	dB(A)	<70
Protection level	(IP)	IP54

\*Value calculated with 160mm diameter roller

# Tom R (15Rpm)

## For roller shutters weighing up to 270kg.

Irreversible electromechanical gearmotors for industrial roller shutters with mechanical stop and chain (C) or crank (K) operated emergency override mechanism and integrated anti-fall safety device. Four versions available.

## Lightweight, compact and powerful

Gearmotors for high-speed roller shutters. Torque up to 200Nm; speed up to 15Rpm.

## Maximum safety

Thanks to the integrated anti-fall safety device and to the possibility of connecting safety devices such as optical or resistive sensitive edges.

Integrated safety catch, independent of the rotation frequency and position. Automation systems in accordance with the latest European technology and safety directives and standards, EN12453.

## Simple installation

Tom can be fitted directly to the shaft of the roller shutter (for Ø 30mm shafts). The simple connectors ease connections and installation and starting are particularly easy.

**Prolonged operating cycle** up to 60% (longer operating time of the motor).

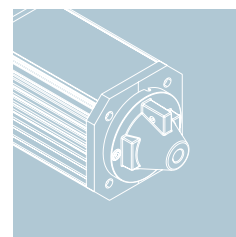
## Flexible technology

Available with two different emergency override mechanisms: with crank or chain thereby offering the best possible solution for every type of automation system.

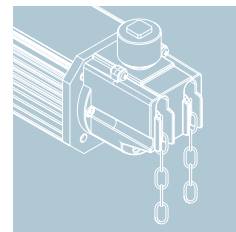
Separate **Mindy TM** control unit.



Crank operated emergency override mechanism



Chain operated emergency override mechanism



### TMR14015 400V, 140Nm, 15Rpm irreversible three-phase motor

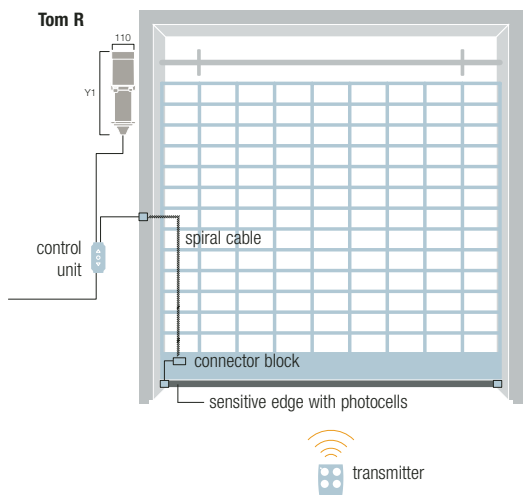
Code	Description
<b>TMR14015TKM</b>	with 6 adjustable mechanical stops and crank operated emergency override mechanism, fixing plate included
<b>TMR14015TCM</b>	with 6 adjustable mechanical stops and chain operated emergency override mechanism, fixing plate included

### TMR20015 400V, 200Nm, 15Rpm irreversible three-phase motor

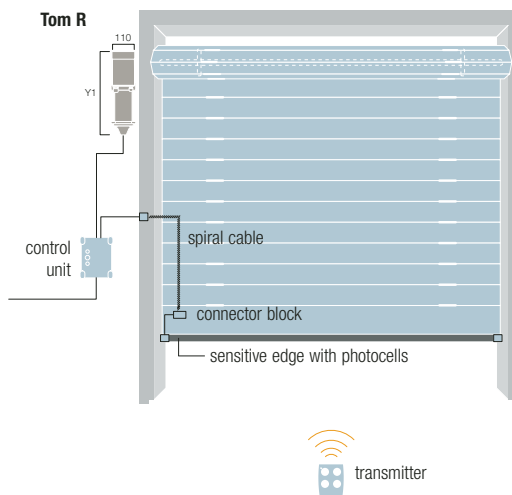
Code	Description
<b>TMR20015TKM</b>	with 6 adjustable mechanical stops and crank operated emergency override mechanism, fixing plate included
<b>TMR20015TCM</b>	with 6 adjustable mechanical stops and chain operated emergency override mechanism, fixing plate included



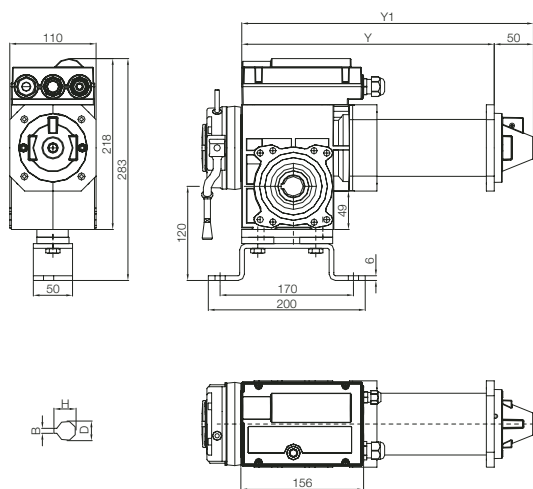
### Installation layout Grilled roller shutter



### Installation layout Roller shutter



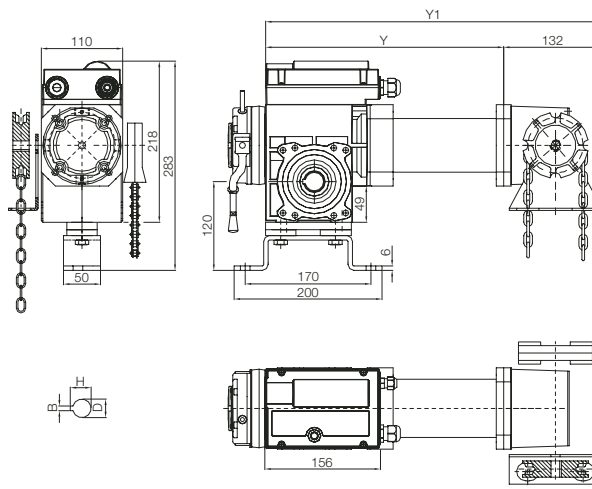
### Technical drawing Crank operated emergency override mechanism



	B	D	H	Y	Y1
<b>TMR14015TKM</b>	10	30	33.3	322	372
<b>TMR20015TKM</b>	10	30	33.3	322	372

\* The dimensions are expressed in mm

### Technical drawing Chain operated emergency override mechanism



	B	D	H	Y	Y1
<b>TMR14015TCM</b>	10	30	33.3	322	454
<b>TMR20015TCM</b>	10	30	33.3	322	454

\* The dimensions are expressed in mm

#### Technical specifications

		<b>TMR14015</b>	<b>TMR20015</b>
Hole	(mm)	30	
Torque	(Nm)	140	200
Speed	(Rpm)	15	
Power absorbed	(KW)	0.55	0.75
Power	(V/Hz)	3x230V/3x400V 50Hz	
Work cycle	(ED)	S3-60%	
Power supply cable	(n° x mm²)	5 x 1.5	
Shaft revolutions on each revolution of the stop		15	
Operating temperature	(°c)	-5 ÷ +40	
Noisiness	dB(A)	<70	
Protection level	(IP)	54	

# Tom R (12Rpm)

## For roller shutters weighing up to 750kg.

Irreversible electromechanical gearmotors for industrial roller shutters with mechanical stop and chain (C) or crank (K) operated emergency override mechanism and integrated anti-fall safety device. Six versions available.

## Lightweight, compact and powerful

Gearmotors for high-speed roller shutters. Torque up to 550Nm; speed up to 12Rpm.

## Maximum safety

Thanks to the anti-fall safety device integrated in all models and to the possibility of connecting safety devices such as optical or resistive sensitive edges.

Integrated safety catch, independent of the rotation frequency and position. Automation systems in accordance with the latest European technology and safety directives and standards, EN12453.

## Simple installation

Tom can be fitted directly to the shaft of the roller shutter (for Ø 30mm and 40mm shafts). The simple connectors ease connections and installation and starting are particularly easy.

**Prolonged operating cycle** up to 60% (longer operating time of the motor).

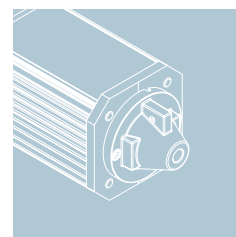
## Flexible technology

Available with two different emergency override mechanisms: with crank or chain thereby offering the best possible solution for every type of automation system.

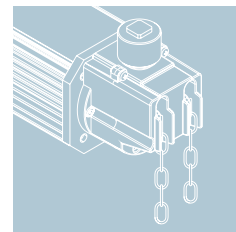
Separate **Mindy TM** control unit.



Crank operated emergency override mechanism



Chain operated emergency override mechanism



### TMR29012 400V, 290Nm, 12Rpm irreversible motor

Code	Description
<b>TMR29012TKM</b>	with 6 adjustable mechanical stops and crank operated emergency override mechanism, fixing plate included
<b>TMR29012TCM</b>	with 6 adjustable mechanical stops and chain operated emergency override mechanism, fixing plate included

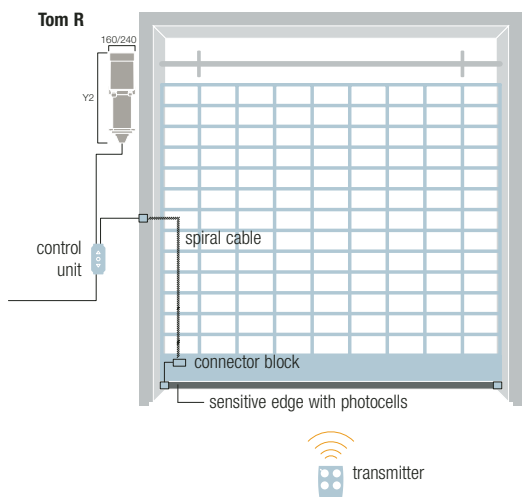
### TMR45012 400V, 450Nm, 12Rpm irreversible motor

Code	Description
<b>TMR45012TKM</b>	with 6 adjustable mechanical stops and crank operated emergency override mechanism, fixing plate included
<b>TMR45012TCM</b>	with 6 adjustable mechanical stops and chain operated emergency override mechanism, fixing plate included

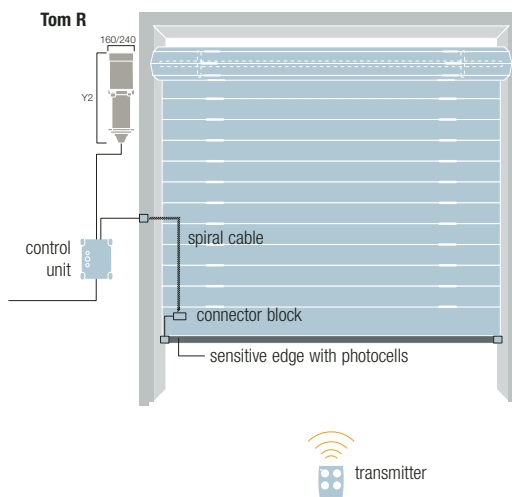
### TMR55012 400V, 550Nm, 12Rpm irreversible motor

Code	Description
<b>TMR55012TKM</b>	with 6 adjustable mechanical stops and crank operated emergency override mechanism, fixing plate included
<b>TMR55012TCM</b>	with 6 adjustable mechanical stops and chain operated emergency override mechanism, fixing plate included

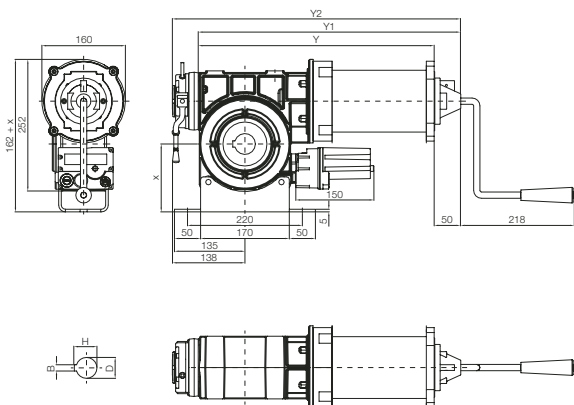
### Installation layout Grilled roller shutter



### Installation layout Roller shutter



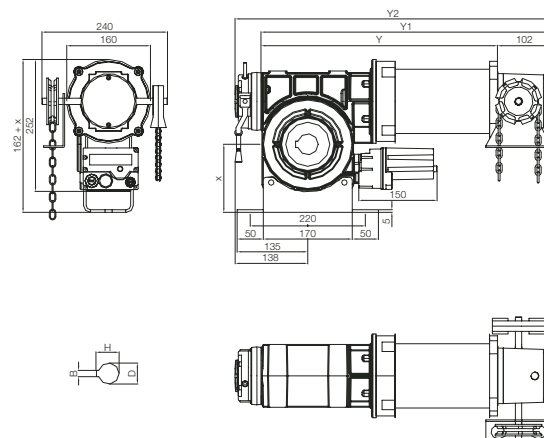
### Technical drawing Crank operated emergency override mechanism



	B	D	H	Y	Y1	Y2	X
<b>TMR29012TKM</b>	10	30	33.3	414	464	-	120
<b>TMR45012TKM</b>	12	40	43.3	453	503	-	120
<b>TMR55012TKM</b>	12	40	43.3	453	-	553	120

\* The dimensions are expressed in mm

### Technical drawing Chain operated emergency override mechanism



	B	D	H	Y	Y1	Y2	X
<b>TMR29012TCM</b>	10	30	33.3	414	516	-	120
<b>TMR45012TCM</b>	12	40	43.3	453	555	-	120
<b>TMR55012TCM</b>	12	40	43.3	453	-	605	120

\* The dimensions are expressed in mm

#### Technical specifications

		<b>TMR29012</b>	<b>TMR45012</b>	<b>TMR55012</b>
Hole	(mm)	30	40	
Torque	(Nm)	290	450	550
Speed	(Rpm)	12		
Power absorbed	(KW)	1	1.5	
Power	(V/Hz)	3x230V/3x400V 50Hz		
Work cycle	(ED)	S3-60%		
Power supply cable	(n° x mm²)	5 x 1.5		
Shaft revolutions on each revolution of the stop		15		
Operating temperature	(°c)	-5 ÷ +40		
Noisiness	dB(A)	<70		
Protection level	(IP)	54		



## Control unit



Code	Description
<b>TM1T</b>	standard control unit for opening and hold-to-run closure, expandable with additional cards. For 400V three-phase motors
<b>TM2T</b>	standard control unit for semi-automatic opening and hold-to-run closure. For 400V three-phase motors
<b>TM2TPUL</b>	standard control unit for semi-automatic opening and hold-to-run closure. For 400V three-phase motors. With integrated control buttons

## Electronic accessories



Code	Description
<b>TM1C1</b>	additional card for TM1 series control units for semi-automatic opening and hold-to-run closure. For motors with mechanical stop
<b>TM1C2</b>	additional card for TM1 series control units for automatic closure with programmable time and the possibility of connecting resistive or optical sensitive edges
<b>TM1C3</b>	additional card for TM1 series control units to manage the semaphoric signals in both directions, the photocell pair installed on gridded roller shutters close to the winding shaft and contact for the opening and closing position
<b>TMPUL</b>	additional control buttons for TM1 series control units
<b>TMCEE</b>	CEE connector with 1m of cable

## Motor/control unit connection cables with connectors for instant use

### For motors with mechanical stop



Code	Description
<b>TM1CM5</b>	for TM1 series control units. Length 5m
<b>TM1CM7</b>	for TM1 series control units. Length 7m
<b>TM1CM11</b>	for TM1 series control units. Length 11m
<b>TM2CM5</b>	for TM2 series control units. Length 5m
<b>TM2CM7</b>	for TM2 series control units. Length 7m
<b>TM2CM11</b>	for TM2 series control units. Length 11m

## Universal accessories



Code	Description
<b>TMSC16</b>	5 core spiral cable with connector and extension from 0.8 to 1.6m, supplied with cable clip and support. Necessary for the connection of the optical or resistive sensitive edge
<b>TMBOX1</b>	door fixed connection block to connect the sensitive edge and spiral cable. With hole for cable clip
<b>TMBOX2</b>	door fixed connection block to connect the sensitive edge and spiral cable. Without hole for cable clip
<b>TMC45</b>	cable with connector for TMBOX1/TMBOX2 connector blocks. 4.5m long for TMBOX1 and advisable for TMBOX2
<b>TM65</b>	cable with connector for TMBOX1/TMBOX2 connector blocks. 6.5m long for TMBOX1 and advisable for TMBOX2
<b>TM85</b>	cable with connector for TMBOX1/TMBOX2 connector blocks. 8.5m long for TMBOX1 and advisable for TMBOX2
<b>TMF</b>	11.5mm Ø photocell pair for optical sensitive edges, including adaptors from 11.5 to 22mm and 7m of cable. For distances up to 7m (10.5mm with 1m of cable)

# The Nice sites :

## Headquarter

### Nice SpA

Oderzo TV Italia  
Tel. +39.0422.85.38.38  
Fax +39.0422.85.35.85  
info@niceforyou.com

## Nice in Italy

### Nice Padova

Sarmeola di Rubano PD Italia  
Tel. +39.049.89.78.93.2  
Fax +39.049.89.73.85.2  
info@pd.niceforyou.com

### Nice Roma

Roma Italia  
Tel. +39.06.72.67.17.61  
Fax +39.06.72.67.55.20  
inforoma@niceforyou.com

## Nice Worldwide

### Nice France

Buchelay  
Tel. +33.(0)1.30.33.95.95  
Fax +33.(0)1.30.33.95.96  
info@fr.niceforyou.com

### Nice Rhône-Alpes

Decines Charpieu France  
Tel. +33.(0)4.78.26.56.53  
Fax +33.(0)4.78.26.57.53  
info@yon@fr.niceforyou.com

### Nice France Sud

Aubagne France  
Tel. +33.(0)4.42.62.42.52  
Fax +33.(0)4.42.62.42.50  
info@marseille@fr.niceforyou.com

### Nice Belgium

Leuven (Heverlee)  
Tel. +32.(0)16.38.69.00  
Fax +32.(0)16.38.69.01  
info@be.niceforyou.com

### Nice España Madrid

Tel. +34.9.16.16.33.00  
Fax +34.9.16.16.30.10  
info@es.niceforyou.com

### Nice España Barcelona

Tel. +34.9.35.88.34.32  
Fax +34.9.35.88.42.49  
info@es.niceforyou.com

### Nice Polska

Pruszków  
Tel. +48.22.759.40.00  
Fax +48.22.759.40.22  
info@pl.niceforyou.com

### Nice UK

Chesterfield  
Tel. +44.87.07.55.30.10  
Fax +44.87.07.55.30.11  
info@uk.niceforyou.com

### Nice Romania

Cluj Napoca  
Tel./Fax +40.264.45.31.27  
info@ro.niceforyou.com

### Nice Deutschland

Gelnhausen-Hailer  
Tel. +49.60.51.91.52-0  
Fax +49.60.51.91.52-119  
info@de.niceforyou.com

### Nice China

Shanghai  
Tel. +86.21.575.701.46  
+86.21.575.701.45  
Fax +86.21.575.701.44  
info@cn.niceforyou.com

### Nice USA Inc.

Jacksonville, Fl.  
Tel. +001.904.786.7133  
Fax +001.904.786.7640  
info@us.niceforyou.com



Discover all Nice services and products for automating Gates, Doors, Rolling Shutters and Awnings: check out our web site [www.niceforyou.com](http://www.niceforyou.com)

The information shown in this publication is purely indicative. Nice reserves the right to make any modifications to the products as it sees fit.