



For 2-leaf folding doors.

Electromechanical gear motor irreversible with telescopic arm, also in 24 Vdc version, with magnetic encoder.

Single model for right and left leaves.

Pre-wired, **incorporated double limit-switch** both during opening and closing: fewer connections mean quicker installation (for HY7100 only).

Solid metal mechanics.

Sturdy, galvanised, telescopic arm.

Recommended control units:

Mindy A3, A3F, A6, A6F, A60, A700F; for HY7124 Moonclever MC824H.

24 Vdc version with magnetic encoder.

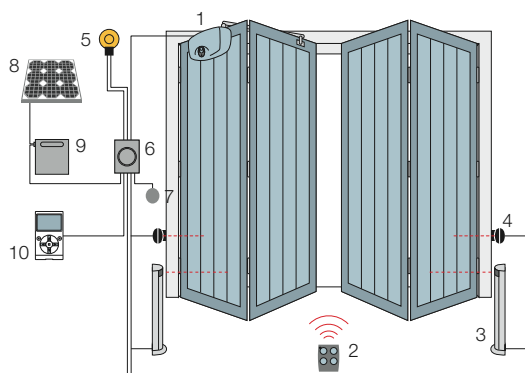
Perfect for intensive use, compatible with the control unit Moonclever MC824H, equipped with BlueBUS, and provision for operation with the systems Solemyo and Opera:

- simple programming, by means of a single key;
- self-learning of opening and closing limit positions;
- automatic fault diagnostics;
- programming of pause time;
- pedestrian pass door;
- deceleration on opening and closing;
- obstacle detection with dual technology;
- operation in event of power failure by means of optional rechargeable batteries (PS324);
- provision for connection of latest generation resistive sensitive edges.

Technical specifications

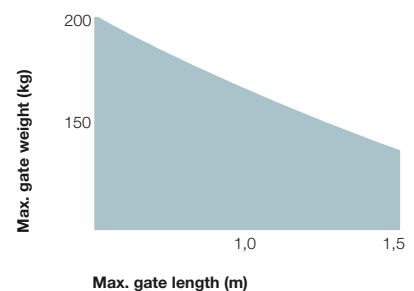
Code	HY7100	HY7124
Electrical data		
Power supply (Vac 50 Hz)	230	-
Power supply (Vdc)	-	24
Absorption (A)	1.2	5
Power (W)	250	120
Built-in capacitor (µF)	10	-
Performance data		
Speed (Rpm)	1.7	2
Torque (Nm)	400	250
Work cycle (%)	30	80
Dimensional and general data		
Protection level (IP)	20	
Working temp. (°C Min/Max)	-20 ÷ +50	
Dimensions (mm)	350x165x242 h	
Weight (kg)	13	

Installation diagram



1. Hyppo
 2. Transmitter
 3. Photocells mounted on posts
 4. Photocells
 5. Flashing light
 6. Control unit
 7. Digital or key switches
 8. SYP* solar panel
 9. PSY24* battery box
 10. O-View* multifunction display.
- *Optional connection to Solemyo and Opera systems.

Utilisation limits



N.B. The above values are valid if the motor is used with standard accessories.